

- 1
- 2
- 3
- 4
- 5
- 6
- 7
- 8
- 9
- 10
- 11
- 12
- 13
- 14
- 15
- 16
- 17
- 18

TYPES

- Type A: without no-slip disk
- Type B: with no-slip disk
- Type C: with O-ring

Base

Steel, epoxy resin coating  
black, RAL 9005, textured finish

Threaded studs / Hexagon nut ISO 8675

Steel, zinc plated, blue passivated

No-slip disk

black, NBR  
85±5 Shore A

O-ring

black, NBR  
≈ 70 Shore A

FEATURES AND APPLICATIONS

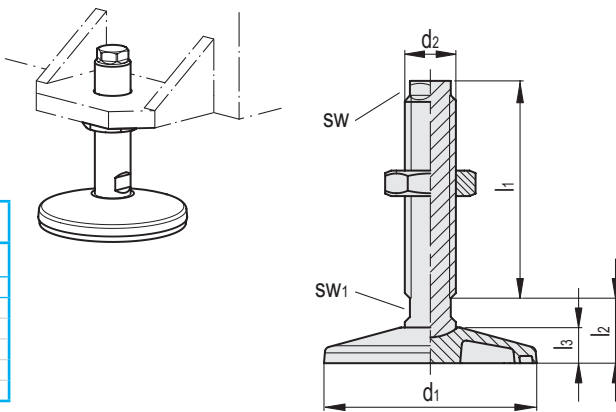
Machine feet GN 36 are characterized by their solid construction and large variety. They are used especially on large and heavy systems and machines.

Foot plates and threaded studs are not connected together, during set-up they are automatically centered by the radius at the contact point.

Type B with rubber underlay prevents slipping to the side, protects delicate surfaces and dampens vibrations and tremors. Type C with O-ring provides a seal over the ground to prevent the build-up of dirt under the foot.



Application example



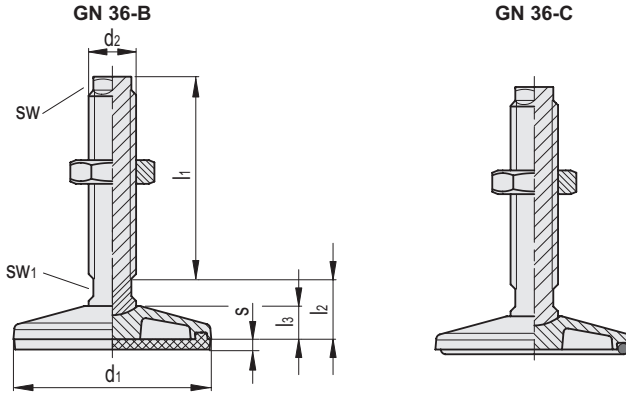
Conversion Table	
1 mm = 0.039 inch	
d1	
mm	inch
80	3.12
100	3.90
125	4.88
160	6.24
200	7.80

METRIC

GN 36-A

Code	Description	d1	d2	l1	l2	l3	sw	sw1	Static load [kN]	⚖
GN.36001	GN 36-80-M20X1.5-60-A	80	M20x1.5	60	27.5	15	16	16	50	482
GN.36006	GN 36-80-M20X1.5-100-A	80	M20x1.5	100	27.5	15	16	16	50	579
GN.36011	GN 36-80-M24X2-70-A	80	M24x2	70	27.5	15	19	19	70	593
GN.36016	GN 36-80-M24X2-120-A	80	M24x2	120	27.5	15	19	19	70	767
GN.36031	GN 36-100-M20X1.5-60-A	100	M20x1.5	60	30	17.5	16	16	50	665
GN.36036	GN 36-100-M20X1.5-100-A	100	M20x1.5	100	30	17.5	16	16	50	762
GN.36021	GN 36-100-M24X2-70-A	100	M24x2	70	30	17.5	19	19	70	776
GN.36026	GN 36-100-M24X2-120-A	100	M24x2	120	30	17.5	19	19	70	950
GN.36041	GN 36-125-M24X2-70-A	125	M24x2	70	35	21	19	19	70	1189
GN.36046	GN 36-125-M24X2-120-A	125	M24x2	120	35	21	19	19	70	1364
GN.36051	GN 36-125-M30X2-90-A	125	M30x2	90	38	21	24	24	120	1556
GN.36056	GN 36-125-M30X2-150-A	125	M30x2	150	38	21	24	24	120	1882
GN.36061	GN 36-160-M30X2-90-A	160	M30x2	90	45	27	24	24	120	2470
GN.36066	GN 36-160-M30X2-150-A	160	M30x2	150	45	27	24	24	120	2796
GN.36071	GN 36-160-M36X2-110-A	160	M36x2	110	45	27	30	30	180	2880
GN.36076	GN 36-160-M36X2-180-A	160	M36x2	180	45	27	30	30	180	3428
GN.36081	GN 36-200-M36X2-110-A	200	M36x2	110	55	33	30	30	180	4528
GN.36086	GN 36-200-M36X2-180-A	200	M36x2	180	55	33	30	30	180	5077
GN.36091	GN 36-200-M42X2-125-A	200	M42x2	125	55	33	36	36	250	5055
GN.36096	GN 36-200-M42X2-210-A	200	M42x2	210	55	33	36	36	250	5962

Leveling feet and supports



METRIC

## GN 36-B

Code	Description	d1	d2	l1	l2	l3	s	sw	sw1	Static load [kN]	⚖️
GN.36002	GN 36-80-M20X1.5-60-B	80	M20x1.5	60	27.5	15	3	16	16	20	503
GN.36007	GN 36-80-M20X1.5-100-B	80	M20x1.5	100	27.5	15	3	16	16	20	600
GN.36012	GN 36-80-M24X2-70-B	80	M24x2	70	27.5	15	3	19	19	20	614
GN.36017	GN 36-80-M24X2-120-B	80	M24x2	120	27.5	15	3	19	19	20	788
GN.36032	GN 36-100-M20X1.5-60-B	100	M20x1.5	60	30	17.5	4	16	16	30	710
GN.36037	GN 36-100-M20X1.5-100-B	100	M20x1.5	100	30	17.5	4	16	16	30	807
GN.36022	GN 36-100-M24X2-70-B	100	M24x2	70	30	17.5	4	19	19	30	821
GN.36027	GN 36-100-M24X2-120-B	100	M24x2	120	30	17.5	4	19	19	30	995
GN.36042	GN 36-125-M24X2-70-B	125	M24x2	70	35	21	5	19	19	50	1273
GN.36047	GN 36-125-M24X2-120-B	125	M24x2	120	35	21	5	19	19	50	1448
GN.36052	GN 36-125-M30X2-90-B	125	M30x2	90	38	21	5	24	24	50	1640
GN.36057	GN 36-125-M30X2-150-B	125	M30x2	150	38	21	5	24	24	50	1966
GN.36062	GN 36-160-M30X2-90-B	160	M30x2	90	45	27	6	24	24	70	2637
GN.36067	GN 36-160-M30X2-150-B	160	M30x2	150	45	27	6	24	24	70	2963
GN.36072	GN 36-160-M36X2-110-B	160	M36x2	110	45	27	6	30	30	70	3047
GN.36077	GN 36-160-M36X2-180-B	160	M36x2	180	45	27	6	30	30	70	3595
GN.36082	GN 36-200-M36X2-110-B	200	M36x2	110	55	33	8	30	30	110	4861
GN.36087	GN 36-200-M36X2-180-B	200	M36x2	180	55	33	8	30	30	110	5410
GN.36092	GN 36-200-M42X2-125-B	200	M42x2	125	55	33	8	36	36	110	5388
GN.36097	GN 36-200-M42X2-210-B	200	M42x2	210	55	33	8	36	36	110	6295

## GN 36-C

Code	Description	d1	d2	l1	l2	l3	sw	sw1	Static load [kN]	⚖️
GN.36003	GN 36-80-M20X1.5-60-C	80	M20x1.5	60	27.5	15	16	16	50	485
GN.36008	GN 36-80-M20X1.5-100-C	80	M20x1.5	100	27.5	15	16	16	50	582
GN.36013	GN 36-80-M24X2-70-C	80	M24x2	70	27.5	15	19	19	70	596
GN.36018	GN 36-80-M24X2-120-C	80	M24x2	120	27.5	15	19	19	70	770
GN.36033	GN 36-100-M20X1.5-60-C	100	M20x1.5	60	30	17.5	16	16	50	672
GN.36038	GN 36-100-M20X1.5-100-C	100	M20x1.5	100	30	17.5	16	16	50	769
GN.36023	GN 36-100-M24X2-70-C	100	M24x2	70	30	17.5	19	19	70	783
GN.36028	GN 36-100-M24X2-120-C	100	M24x2	120	30	17.5	19	19	70	957
GN.36043	GN 36-125-M24X2-70-C	125	M24x2	70	35	21	19	19	70	1199
GN.36048	GN 36-125-M24X2-120-C	125	M24x2	120	35	21	19	19	70	1374
GN.36053	GN 36-125-M30X2-90-C	125	M30x2	90	38	21	24	24	120	1566
GN.36058	GN 36-125-M30X2-150-C	125	M30x2	150	38	21	24	24	120	1892
GN.36063	GN 36-160-M30X2-90-C	160	M30x2	90	45	27	24	24	120	2491
GN.36068	GN 36-160-M30X2-150-C	160	M30x2	150	45	27	24	24	120	2817
GN.36073	GN 36-160-M36X2-110-C	160	M36x2	110	45	27	30	30	180	2901
GN.36078	GN 36-160-M36X2-180-C	160	M36x2	180	45	27	30	30	180	3449
GN.36083	GN 36-200-M36X2-110-C	200	M36x2	110	55	33	30	30	180	4555
GN.36088	GN 36-200-M36X2-180-C	200	M36x2	180	55	33	30	30	180	5104
GN.36093	GN 36-200-M42X2-125-C	200	M42x2	125	55	33	36	36	250	5082
GN.36098	GN 36-200-M42X2-210-C	200	M42x2	210	55	33	36	36	250	5989

